

GTPC-25-D series

25W LED Triac Dimmable Constant Voltage Power Supply



■ Features:

- Constant voltage design
- European AC input range
- Protections: Overload / Over voltage / Short circuit
- Cooling by free air convection
- Isolation class II
- Suitable to work with AC triac dimmers
- CB certificate



◎ ELECTRICAL SPECIFICATION

MODEL	GTPC-25-12-D	GTPC-25-24-D
-------	--------------	--------------

OUTPUT

Rated Voltage	12V	24V
Rated Current	2.08A	1.04A
Current Range	0 ÷ 2.08A	0 ÷ 1.04A
Rated Power	25W	
Dimming range	1 - 100%	
Line Regulation	± 3%	
Load Regulation	± 3%	
Tolerance [3]	± 3%	
Ripple & Noise (max.) [2]	900mV _{p-p}	
Setup [4]	500ms / 230VAC at full load	

INPUT

Voltage Range	220 ÷ 240VAC					
Frequency Range	47 ÷ 63Hz					
Efficiency (typ.)	84%					85%
AC Current (typ.)	0.16A / 230VAC					
Inrush Current (typ.)	5A / 230VAC; 500µs					
Max. No. Of PSU on Circuit Breaker	B10	B16	C10	C16	D10	D16
	18	29	27	43	54	86

PROTECTIONS

Overload	Range: 120-160% rated power Type: constant current, auto-recovery.
Short Circuit	Type: shut off, auto-recovery.
Over Voltage	Type: hiccup mode, auto-recovery.

WORKING ENVIRONMENT

Working Temperature	-20°C ÷ 50°C, ta: 50°C; tc: 70°C
Working Humidity	20 ÷ 90% RH non-condensing
Storage Temperature and Humidity	-20°C ÷ 70°C, 10 ÷ 95% RH non-condensing

GTPC-25-D series

25W LED Triac Dimmable Constant Voltage Power Supply



SAFETY and EMC REGULATIONS

Safety Standards	Compliance to EN 61347-1, EN 61347-2-13, EN 60598-1
Withstand Voltage	IN/OUT: 3.75kVAC
Isolation Resistance	IN/OUT: 100MΩ/500VDC/25°C/70%
EMC Emission	Compliance to EN 55015, EN 62493
EMC Immunity	Compliance to EN 61547
Harmonic Current	Compliance to EN 61000-3-3; EN 61000-3-2

OTHERS

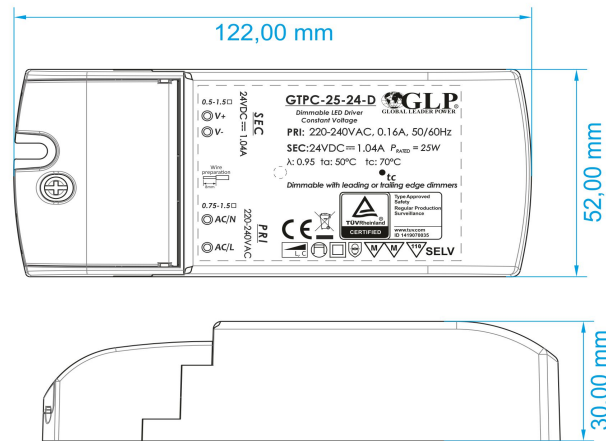
Lifetime (typ.)	30 000 hours
Dimensions	122 x 52 x 30mm (L x W x H)
Weight and Packing	110g; 100pcs./ctn; ctn weight and dimensions: 11kg; 29 x 24.5 x 36cm

EAN Code



1. All parameters NOT specially mentioned are measured at 230VAC input, rated load and 25°C of ambient temperature.
2. Ripple & noise are measured at 20MHz of bandwidth by using a 12" twisted pair-wire terminated with a 0.1μF i 47μF parallel capacitor.
3. Tolerance includes set up tolerance, line regulation and load regulation.
4. Setup time is measured from 0 to 90% rated output voltage.
5. Power supply is considered as component not intended to apply by end-user. Power supply meets safety and EMC standards however the final equipment with power supply must be re-quality to comply with EMC Directives.

© MECHANICAL SPECIFICATION



© Suggested connection diagram with dimmer

