

PCC12W-DC-TDim series

12W LED Triac Dimmable Constant Current Power Supply



■ Features:

- Constant current design
- European AC input range
- Protections: Short circuit / Over Voltage
- Cooling by free air convection
- Suitable to work with AC triac dimmers
- Isolation class II



CONSTANT CURRENT SELV         

Ⓢ ELECTRICAL SPECIFICATION

MODEL	PCC12W-DC-TDim-700
-------	--------------------

OUTPUT

No Load Voltage (max.)	18V
Rated Current	700mA
Voltage Range	9 ÷ 18V
Rated Power	12W
Voltage Ripple & Noise (max.) [2]	1.50V _{P-P}
Line Regulation	± 1%
Load Regulation	± 2%
Current Accuracy	± 2%
Setup, Rise Time [3]	150ms, 100ms / 230VAC at full load

INPUT

Voltage Range	180 ÷ 264VAC					
Frequency Range	47 ÷ 63Hz					
Efficiency (typ.)	80%					
AC Current (typ.)	0.08A / 230VAC					
Power Factor	PF > 0.95 / 230VAC at full load					
Max. No. Of PSU on Circuit Breaker	B10	B16	C10	C16	D10	D16
	35	56	74	118	125	200

DIMMING

Dimming Range	1 – 100% of rated output current
Suitable dimmers	Triac dimmers (leading or trailing edge) compatible with capacitive or inductive load

PCC12W-DC-TDim series

12W LED Triac Dimmable Constant Current Power Supply



PROTECTIONS

Short Circuit Type: CP mode, auto-recovery.

Over voltage 23V

Type: hiccup, auto-recovery

WORKING ENVIRONMENT

Working Temperature -20°C ÷ 50°C, ta: 50°C; tc: 80°C

Working Humidity 20 ÷ 90% RH non-condensing

Storage Temperature and Humidity -30°C ÷ 80°C, 10 ÷ 95% RH non-condensing

SAFETY and EMC REGULATIONS

Safety Standards Compliance to EN 61347-1, EN 61347-2-13

Withstand Voltage IN/OUT: 3.6kVAC

Isolation Resistance IN/OUT: 100MΩ/500VDC/25°C/70%

EMC Emission Compliance to EN55015

EMC Immunity Compliance to EN61547

Harmonic Current Compliance to EN61000-3-3; EN61000-3-2

OTHERS

DIMENSIONS 109 x 40 x 22mm (L x W x H)

Weight and Packing 68g; 100pcs./ctn; ctn weight and dimensions: 7kg; 26 x 23.5 x 28cm

EAN Code



1. All parameters NOT specially mentioned are measured at 230VAC input rated load and 25°C of ambient temperature.

2. Ripple & noise are measured at 20MHz of bandwidth by using a 12" twisted pair-wire terminated with a 0.1μF i 47μF parallel capacitor.

3. Setup and rise time is measured from 0 to 90% rated output voltage.

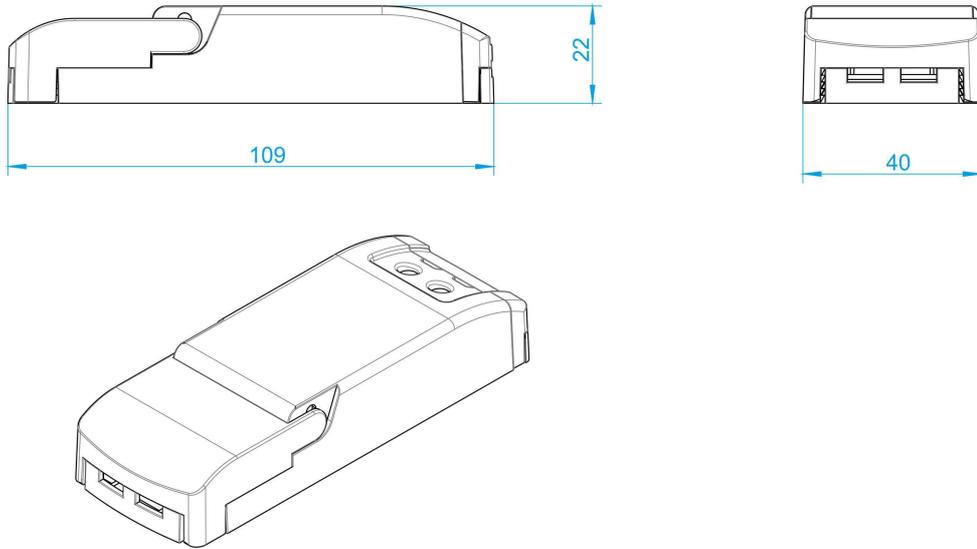
4. Power supply is considered as component not indented to apply by end-user. Power supply meets safety and EMC standards however the final equipment with power supply must be re-quality to comply with EMC Directives.

PCC12W-DC-TDim series

12W LED Triac Dimmable Constant Current Power Supply



© MECHANICAL SPECIFICATION



© WIRING DIAGRAM

