

GLP 40-12

Compliance with standards

PN-EN 60896-21:2007
 PN-EN 60896-22:2007
 PN-EN 61056-1:2008
 PN-EN 61056-2:2003(U)
 PN-E-83016:1999



The **GLOBAL LEADER POWER** VRLA AGM battery series are designed to work in emergency power supply or other cyclic applications. The preferred uses for these are automation systems, mobile power source, engine power sources etc. For 50% deep cycle, up to 400 charge-discharge cycles can be achieved.

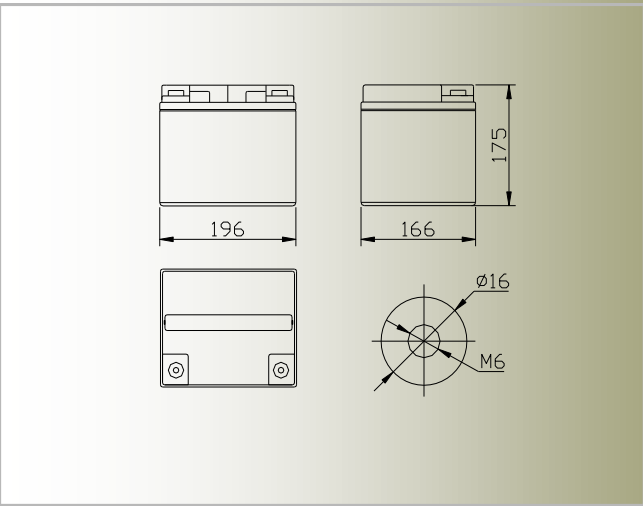
Designed lifetime is 8~10 years in 20-25°C working conditions (according to EUROBAT).



Specification

Nominal voltage	12V	
Nominal capacity	40.0 Ah	
Dimensions	Length	196 mm
	Width	166 mm
	Height	175 mm
	Total height	175 mm
Case material ABS/(UL94-HB) UL94-V0 optional		
Weight	11.9 kg	

Dimensions

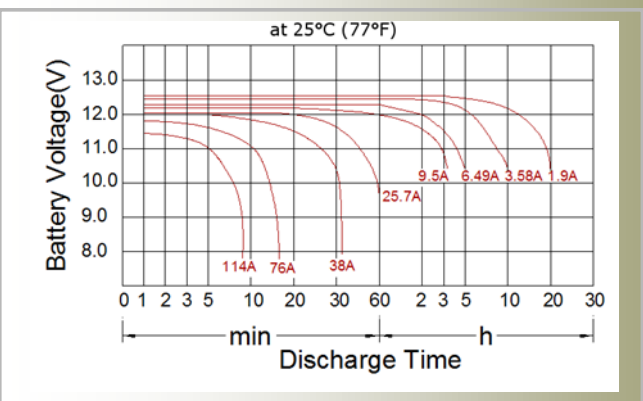


Characteristic

Capacity at 25°C and 10.0V cut off voltage	20h	39.0 Ah
	5h	34.0 Ah
	1h	26.0 Ah
Internal resistance	Fully charged	9.5 mΩ
Capacity	for 20°C	100%
	for 0°C	85%
	for -15°C	65%
Self discharge	3 months	91%
	6 months	82%
	12 months	64%
Terminal	M6	
Charging	Buffer	13.50-13.80V
	Cyclical	14.40-15.00V
Max. charging current	11.0 A	
Max. discharge current	380 A (5 sec.)	

Working temperature:
 Discharging: -20°C ÷ 50°C
 Charging: -10°C ÷ 50°C
 Storing: -20°C ÷ 50°C

Discharge characteristic at 25 °C



GLP 40-12

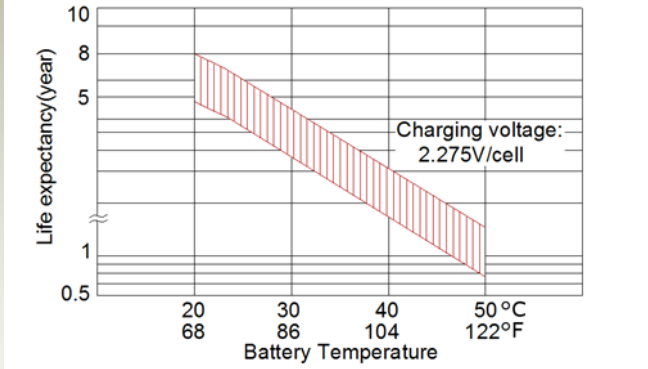
12V 40Ah

Zgodność z normami

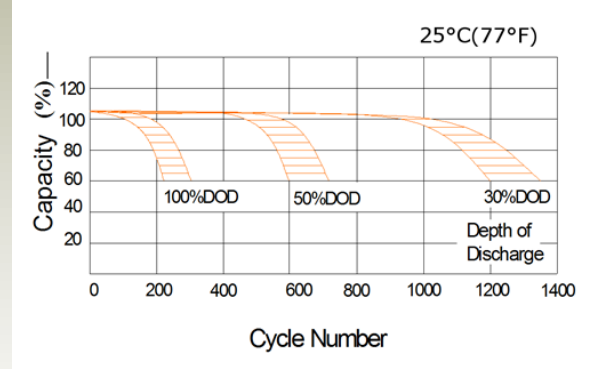
PN-EN 60896-21:2007
 PN-EN 60896-22:2007
 PN-EN 61056-1:2008
 PN-EN 61056-2:2003(U)
 PN-E-83016:1999



Battery life for buffer work



Battery life for cyclic work



Constant current discharge characteristics (A, 25°C)

Constant Current Discharge Characteristics Unit: A (25°C,77°F)												
F.V / Time	5Min	10Min	15Min	30Min	1HR	2HR	3 HR	4HR	5HR	8HR	10HR	20HR
9.6V	112	101	88.0	47.8	25.7	14.5	9.88	8.08	6.97	4.75	3.74	1.96
10.0V	126	98.8	83.9	46.9	25.6	14.4	9.75	7.98	6.90	4.69	3.71	1.96
10.2V	124	97.5	82.3	46.6	25.6	14.3	9.72	7.92	6.87	4.66	3.71	1.96
10.5V	117	91.8	76.0	45.0	25.0	14.2	9.50	7.60	6.49	4.53	3.58	1.90
10.8V	111	85.5	69.7	43.4	24.5	14.0	9.25	7.28	6.11	4.50	3.48	1.84
11.1V	104	79.8	63.3	41.5	24.0	13.9	9.03	6.97	5.76	4.37	3.42	1.81

Constant power discharge characteristics (Watt, 25°C)

Constant Power Discharge Characteristics Unit: Watt(25°C,77°F)												
F.V / Time	5Min	10Min	15Min	30Min	1HR	2HR	3 HR	4HR	5HR	8HR	10HR	20HR
9.6V	1361	1108	975	545	285	170	116	95.0	80.8	56.4	46.2	23.5
10.0V	1352	1077	877	535	283	170	115	94.1	79.8	55.4	45.9	23.2
10.2V	1346	1077	833	532	283	170	115	93.4	79.2	54.8	45.6	23.0
10.5V	1289	1020	817	516	278	168	112	89.9	75.4	54.2	44.7	22.6
10.8V	1229	966	798	504	272	167	110	86.5	69.0	53.2	43.7	22.2
11.1V	1171	912	779	488	267	165	108	83.3	67.5	52.6	43.1	21.8