

GLP 200-12

Compliance with standards

PN-EN 60896-21:2007
 PN-EN 60896-22:2007
 PN-EN 61056-1:2008
 PN-EN 61056-2:2003(U)
 PN-E-83016:1999



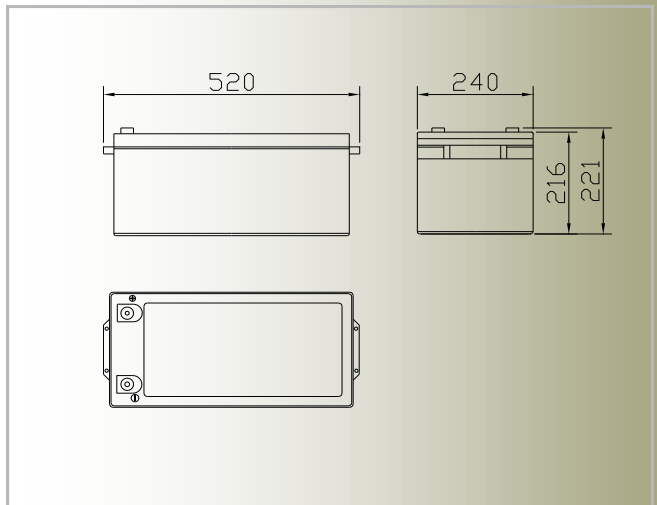
The **GLOBAL LEADER POWER** VRLA AGM battery series are designed to work in emergency power supply or other cyclic applications. The preferred uses for these are automation systems, mobile power source, engine power sources etc. For 50% deep cycle, up to 400 charge-discharge cycles can be achieved. Designed lifetime is 8~10 years in 20-25°C working conditions (according to EUROBAT).



Specification

Nominal voltage	12V	
Nominal capacity	200.0 Ah	
Dimensions	Length	520 mm
	Width	240 mm
Case material ABS/(UL94-HB) UL94-V0 optional	Height	216 mm
	Total height	221 mm
	Weight	58.0 kg

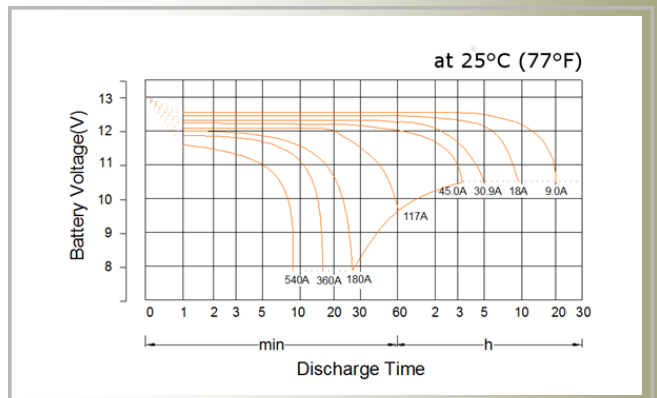
Dimensions



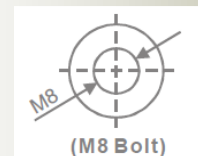
Characteristic

Capacity at 25°C and 10.0V cut off voltage	20h	200.0 Ah
	5h	170.0 Ah
	1h	130.0 Ah
Internal resistance	Fully charged	4.0 mΩ
Capacity	for 20°C	100%
	for 0°C	85%
	for -15°C	65%
Self discharge	3 months	91%
	6 months	82%
	12 months	64%
Terminal	M8	
Charging	Buffer	13.50-13.80V
	Cyclical	14.40-15.00V
Max. charging current	58 A	
Max. discharge current	1000 A (5 sec.)	

Discharge characteristic at 25 °C



Terminal



Working temperature:
 Discharging: -20°C ÷ 50°C
 Charging: -10°C ÷ 50°C
 Storing: -20°C ÷ 50°C



GLP 200-12

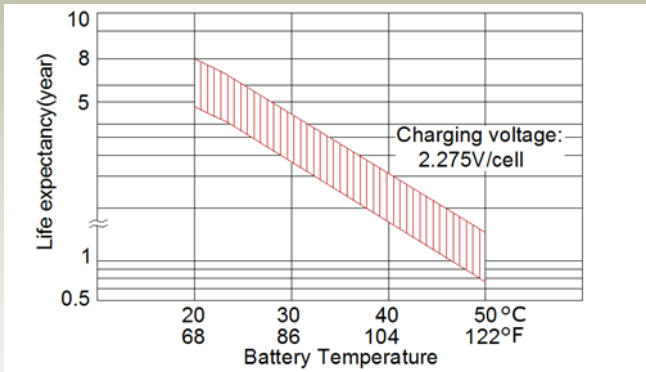
12V 200Ah

Zgodność z normami

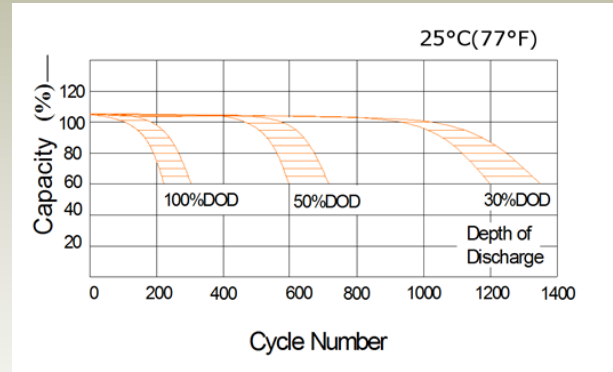
PN-EN 60896-21:2007
 PN-EN 60896-22:2007
 PN-EN 61056-1:2008
 PN-EN 61056-2:2003(U)
 PN-E-83016:1999



Battery life for buffer work



Battery life for cyclic work



Constant current discharge characteristics (A, 25°C)

F.V/Time	5min	10min	15min	30min	45min	1h	2h	3h	5h	8h	10h	20h
9.60V	630	504	360	208	147	117	63.0	45.5	31.0	20.3	16.8	9.18
9.80V	612	486	342	203	145	116	62.5	45.3	30.7	20.3	16.8	9.18
10.20V	576	450	324	198	144	115	62.2	45.0	30.7	20.2	16.7	9.00
10.50V	504	378	306	187	143	114	61.2	44.5	30.7	19.8	16.7	9.00
10.80V	450	324	288	162	141	112	59.3	43.2	30.3	19.8	16.3	8.83

Constant power discharge characteristics (Watt, 25°C)

F.V/Time	5min	10min	15min	30min	45min	1h	2h	3h	5h	8h	10h	20h
9.60V	6888	5514	3984	2406	1686	1356	732	527	358	237	197	108
9.80V	6594	5292	3762	2328	1662	1326	720	524	356	236	196	108
10.20V	6282	4974	3576	2220	1638	1326	714	521	355	236	196	107
10.50V	5508	4206	3384	2082	1620	1302	702	516	355	233	194	106
10.80V	4920	3780	3192	1812	1602	1290	684	500	352	233	192	103