



## Feature & Application

- Constant Power design with **adjustable output current** level by potentiometer
- Built-in active PFC function
- Universal AC input / Full range up to 305Vac
- Protections: Short circuit / Over current / Over voltage / Over temperature
- Cooling by free air convection
- Thermal protection
- Surge immunity: Dif. Mode: 4kV, Comm. Mode: 6kV
- High efficiency
- Dimming 2in1: 0...10V, PWM ( model GLTP-240M)
- IP65 design for indoor and outdoor appliances
- 5 Years warranty
- Industrial LED lighting



## MODEL INFORMATION

Model Number	Output Power (W)	Output Current (A) (adjustable range )		Output Voltage (V) range		Default output spec.		Efficiency (%)	No Load Output Voltage Max (V)	Protection against Electric Shock
		min	max	min	max	Voltage (V)	Current (A)			
GLTP-240V036 GLTP-240M036	240	6,67	8,57	17	36	36	6,67	91	50	SELV
GLTP-240V062 GLTP-240M062	240	3,87	5,71	21	62	54	4,44	92	80	Isolating
GLTP-240V342 GLTP-240M342	240	0,70	1.05	114	342	342	0,70	93	420	Isolating

## MODEL INFORMATION GLTP-240XY

GLTP	-240	X	Y
Circular LED Driver	Output power (W)	V – no dimming M – dimming 2 in 1 (1..10V & PWM)	<b>036</b> - max output voltage is 36V <b>062</b> – max output voltage is 62V <b>342</b> – max output voltage is 342V

## ELECTRICAL SPECIFICATION

MODEL	GLTP-240V036 GLTP-240M036	GLTP-240V062 GLTP-240M062	GLTP-240V342 GLTP-240M342
<b>OUTPUT</b>			
<b>Voltage Range</b>	17V...36V	21V...62V	114V...342V
<b>Current Adjustable Range</b>	6,67A...8,57A	3,87A...5,71A	0,7A...1,05A
<b>Rated Power</b>	240W		
<b>Line Regulation</b>	< 1%		
<b>Load Regulation</b>	< 3%		
<b>Tolerance [1]</b>	± 5%		
<b>Ripple &amp; Noise Vp-p</b>	<1%Uout		
<b>Setup time</b>	<500ms		

## INPUT

<b>Voltage Range</b>	90 ÷ 305VAC		
<b>Frequency Range</b>	47 ÷ 63Hz		
<b>Efficiency (typ.)</b>	91%	92%	93%
<b>AC current (max.)</b>	3.0A		
<b>Power Factor (typ.)</b>	0.98@115VAC 100% load; 0.96@ 230Vac Load: 85% ÷ 100%		
<b>Inrush current</b>	75A @ 230Vac		
<b>Leakage current (max.)</b>	0.75mA / 230VAC		

## PROTECTIONS

<b>Short Circuit</b>	Recovers automatically after fault condition is removed , input power under short condition is <15W
<b>Over Temperature</b>	When the temp of power supply is over 85°C output current is limited up to 20%

## WORKING ENVIRONMENT

<b>Working Temperature</b>	-40°C ÷ +60°C , max T <sub>CASE</sub> = +85°C
<b>Working Humidity</b>	20 ÷ 95% RH non-condensing
<b>Storage Temperature and Humidity</b>	-40°C ÷ 85°C, 10 ÷ 95% RH non-condensing

## SAFETY AND EMC REGULATIONS

<b>Safety Standards</b>	EU: Compliance to EN61347-1, EN61347-2-13; America: UL8750 Canada: CSA C22.2 No.1017.1-01
<b>Withstand Voltage</b>	IN/OUT: 3.75kVAC; IN/GND(CASE): 2.0kVAC; OUT/GND(CASE): 0.5kVAC
<b>Isolation Resistance</b>	IN/OUT:50MΩ/500VDC/25°C/70%
<b>Grounding Resistance</b>	<0,1Ω @25°C/25A/60s
<b>EMC Emission</b>	Compliance to EN 55015
<b>EMC Immunity</b>	Compliance to EN 61547; IEC 61000-4-2, -3, -4, -5, -6, -8, -11
<b>Harmonic Current</b>	Compliance to EN61000-3-3; EN61000-3-2 clacc C

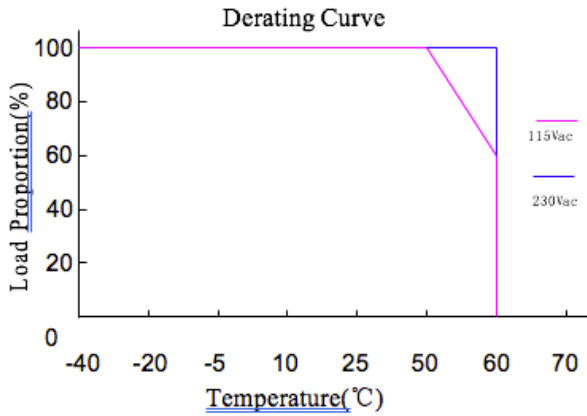
## OTHERS

<b>MTBF</b>	> 200 000 hours according to MIL-HDBK-217F (U <sub>IN</sub> = 110VAC; load: 80%, T <sub>A</sub> = 25°C)
<b>Lifetime</b>	50 000 hours (U <sub>IN</sub> = 230VAC; load: 80%, T < 45°C)
<b>Dimensions</b>	Φ 191/74,8mm (DxH)
<b>Weight</b>	2,1kg/pcs
<b>Vibration</b>	10..500Hz 1.0G 1Hr each oft he perpendicular X,Y,Z axes

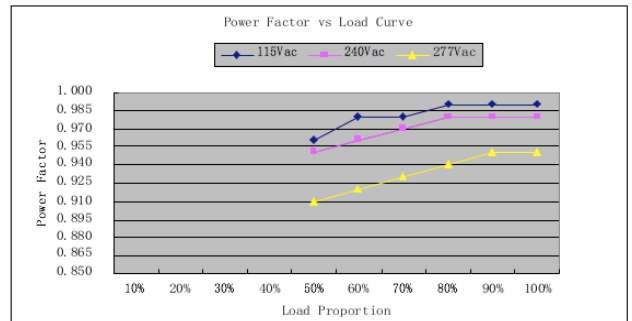
1. Tolerance contains factory set up tolerance, line regulation and load regulation.

2. Power supply is considered as component not indented to apply by end-user. Power supply meets safety and EMC standards however the final equipment with power supply must be re-quality to comply with EMC Directives & LVD Directive.

## DERATING CURVE

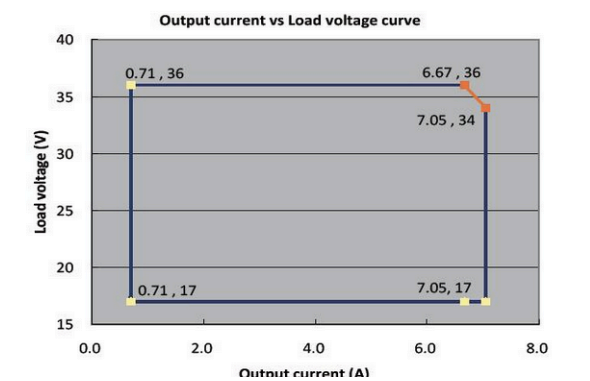


## POWER FACTOR vs. LOAD POWER CURVE

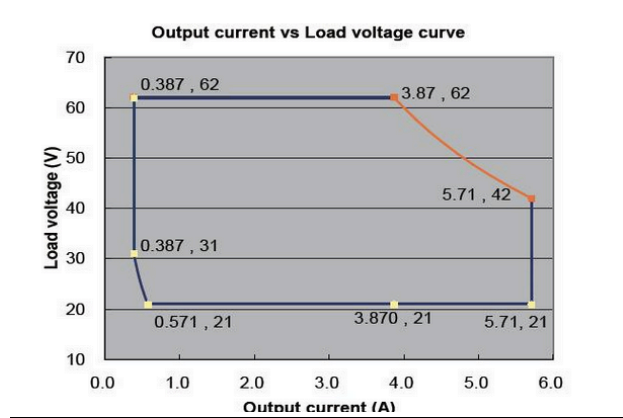


## OUTPUT CURRENT vs LOAD VOLTAGE CURVE

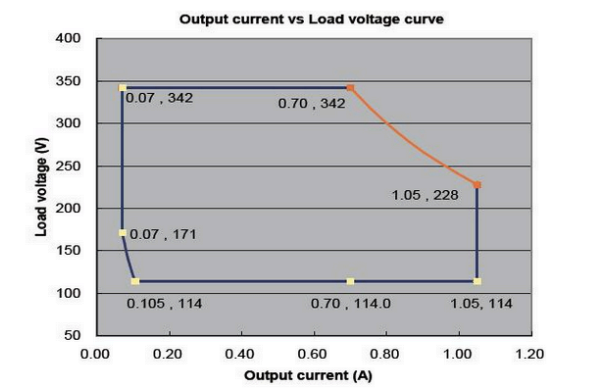
GLTP-240V036, GLTP-240M036



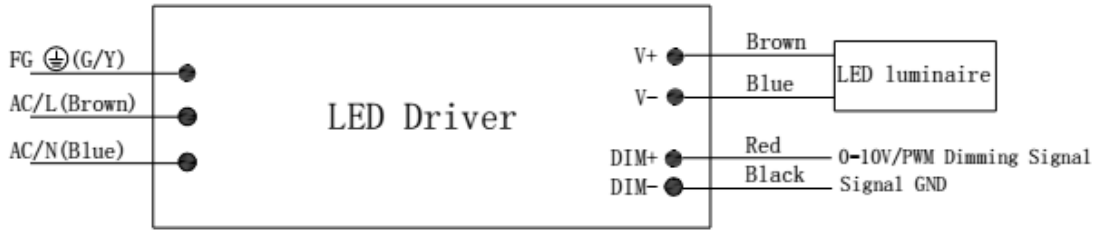
GLTP-240V062, GLTP-240M062



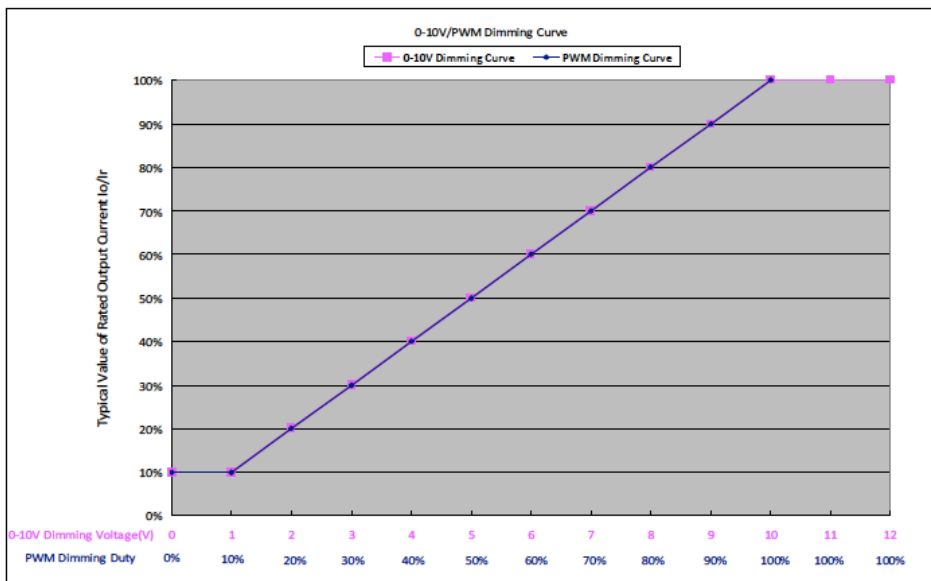
GLTP-240V342, GLTP-240M342



## DEFINE OF INTERFACE

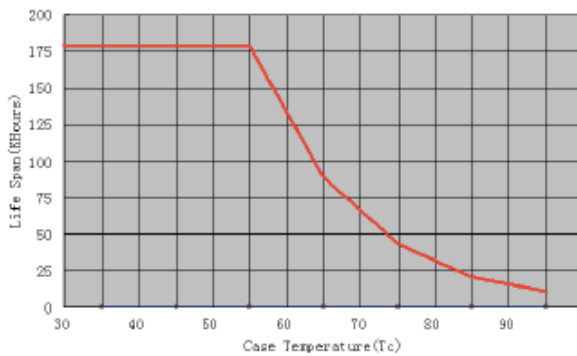


## DIMMING CURVE

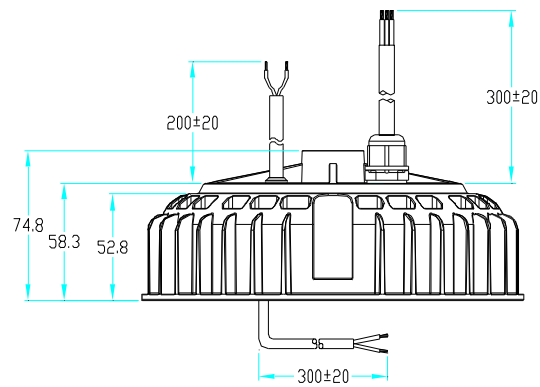
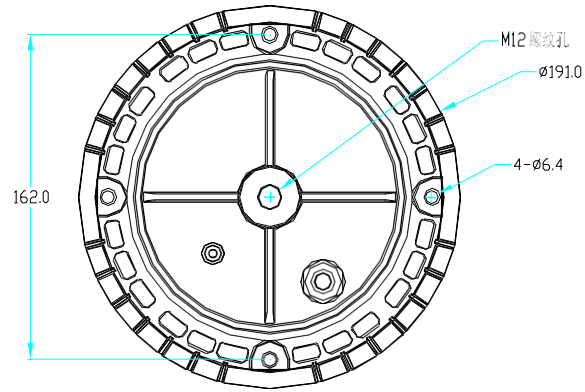


## LIFE TIME QUALIFICATION

The life time is at least 50kHrs @ temperature under 70C



**MECHANICAL SPECIFICATION**



**OPTIONAL MOUNTING ACCESORIES**

