

PCC18W-DC-TDim series

18W LED Triac Dimmable Constant Current Power Supply



■ Features:

- Constant current design
- European AC input range
- Protections: Short circuit / Over Voltage / Over temperature
- Cooling by free air convection
- Suitable to work with AC triac dimmers
- Isolation class II

CONSTANT CURRENT SELV         

Ⓢ ELECTRICAL SPECIFICATION

MODEL	PCC18W-DC-TDim-350
-------	--------------------

OUTPUT

No Load Voltage (max.)	52V
Rated Current	350mA
Voltage Range	26 ÷ 52V
Rated Power	18W
Voltage Ripple & Noise (max.) [2]	1000mV _{p,p}
Line Regulation	± 1%
Load Regulation	± 3%
Current Accuracy	± 2%
Setup, Rise Time [3]	200ms, 150ms / 230VAC at full load

INPUT

Voltage Range	180 ÷ 264VAC					
Frequency Range	47 ÷ 63Hz					
Efficiency (typ.)	89%					
AC Current (typ.)	0.11A / 230VAC					
Power Factor	PF > 0.95 / 230VAC at full load					
Max. No. Of PSU on Circuit Breaker	B10	B16	C10	C16	D10	D16
	35	56	74	118	90	146

DIMMING

Dimming Range	1 – 100% of rated output current
Suitable dimmers	Triac dimmers (leading or trailing edge) compatible with capacitive or inductive load

PCC18W-DC-TDim series

18W LED Triac Dimmable Constant Current Power Supply



PROTECTIONS

Short Circuit	Type: CP mode, auto-recovery.
Over voltage	Range: >60V Type: hiccup, auto-recovery
Over temperature	IC integrated Type: shut off output voltage, auto-recovery

WORKING ENVIRONMENT

Working Temperature	-20°C ÷ 50°C, ta: 50°C; tc: 80°C
Working Humidity	20 ÷ 90% RH non-condensing
Storage Temperature and Humidity	-30°C ÷ 80°C, 10 ÷ 95% RH non-condensing

SAFETY and EMC REGULATIONS

Safety Standards	Compliance to EN 61347-1, EN 61347-2-13
Withstand Voltage	IN/OUT: 3.6kVAC
Isolation Resistance	IN/OUT: 100MΩ/500VDC/25°C/70%
EMC Emission	Compliance to EN55015
EMC Immunity	Compliance to EN61547
Harmonic Current	Compliance to EN61000-3-3; EN61000-3-2

OTHERS

DIMENSIONS	120 x 45 x 28mm (L x W x H)
Weight and Packing	100g; 100pcs./ctn; ctn weight and dimensions: 10kg; 26 x 25 x 34.5cm

EAN Code



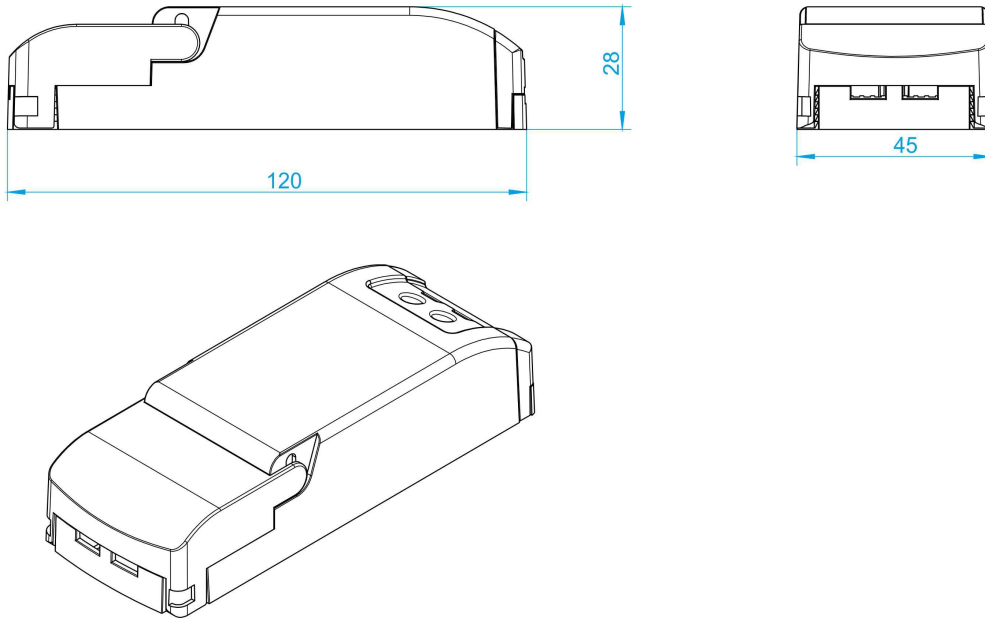
1. All parameters NOT specially mentioned are measured at 230VAC input rated load and 25°C of ambient temperature.
2. Ripple & noise are measured at 20MHz of bandwidth by using a 12" twisted pair-wire terminated with a 0.1μF i 47μF parallel capacitor.
3. Setup and rise time is measured from 0 to 90% rated output voltage.
4. Power supply is considered as component not indented to apply by end-user. Power supply meets safety and EMC standards however the final equipment with power supply must be re-quality to comply with EMC Directives.

PCC18W-DC-TDim series

18W LED Triac Dimmable Constant Current Power Supply



© MECHANICAL SPECIFICATION



© WIRING DIAGRAM

